

Stainless Steel Lift Table Service Manual



LIFT PRODUCTS INC
PO BOX 349
ELM GROVE WI 53122
262-521-5720 FAX 262-521-5725
Toll Free 877-543-8776

Model: SXT-040-36 and SXT-045-36

S/N _____
Customer _____



STANDARD WARRANTY

- A. Obligations of Seller: During the warranty period, Seller shall repair, or at Seller's option, replace parts determined by Seller to be defective in material or workmanship. The warranty period is (1) year from the date of delivery to Buyer F.O.B. point of manufacturer. The foregoing shall be the sole obligation of Seller under this warrant with respect to the equipment and other property included in this agreement. With respect to equipment, materials, parts and accessories manufactured by others, Seller's sole obligation shall be to use reasonable efforts to obtain for Buyer the full benefit of the manufacturer's warranties and is limited to replacement of those components only. Warranty does not include labor or expenses for removal or replacement of those items.
- B. Warranty Exclusions: Repair or replacement of parts required because of misuse, improper care or storage, negligence, alteration, accident, use of incompatible supplies or lack of specified maintenance are excluded from Seller's warranty obligations.
- C. Seller shall not be held responsible for work done, material furnished, repairs or designs made by others unless Seller so agrees in writing. Further, any such work done without Seller's consent or supervision immediately voids any warranties specified in this proposal.
- D. In the event Purchaser believes it is entitled to make a warranty claim hereunder, Purchaser shall notify Seller, and Purchaser and Seller shall mutually determine the nature and extent of the claim and the location at which rework or replacement, if any, shall be performed. Seller shall have no responsibility for costs incurred by Purchaser in making preparations for rework or replacement.
- E. **DISCLAIMER OF WARRANTIES: THE FOREGOING WARRANTY EXPRESSIONS ARE IN LIEU OF ALL OTHER WARRANTIES, EXPRESSED OR IMPLIED, INCLUDING IMPLIED WARRANTIES OF MERCHANTABILITY AND FITNESS FOR A PARTICULAR PURPOSE, AND EXISTENCE OF ANY SUCH OTHER WARRANTY IS HEREBY DENIED.**
- F. Limitations of liability and remedies: The liability of Seller for breach of any warranty obligation hereunder is limited to: (I) the repair or replacement of the equipment on which the liability is based; or (II) at Seller's option, the refund to Buyer of the amount paid by Buyer to Seller for said equipment. All other liability of Seller with respect to this Agreement, or from the manufacture, installation, maintenance, repair or use of any equipment covered by or furnished under this Agreement whether in contract or in tort, or otherwise, is limited to the amount paid by Buyer to Seller pursuant to the terms here on: **SELLER SHALL NOT BE LIABLE FOR INCIDENTAL OR CONSEQUENTIAL DAMAGES OF ANY KIND WHAT SO EVER. THE REMEDIES SET FORTH ARE EXCLUSIVE.**
- G. Breach: Any breach by Seller with respect to any items or unit of equipment shall be deemed a breach with respect to that item or unit only.
- H. Infringement: Seller will not be liable for the infringement of any patent by the Buyer's use of any equipment or materials delivered here under.

LIFT PRODUCTS SXT LIFT SPECIFICATIONS

Construction	Complete Fabrication from Heavy Duty T304 Stainless Steel
Capacity	4,000 lbs
Platform Size	42" x 48" x 4"
Base Size	35-1/2" x 45"
Lowered Height	9"
Raised Height	36"
Toe Guard Height	3"
Elevation Time	@ 30 seconds
Decent Time	@ 24 seconds
Leg Sets	1
Power Unit	110 Volt TEFC Motor integrally mounted providing 1 hp output
Controls	Up/Down hand pendant control
Actuation	Dual, low pressure hydraulic cylinders, washdown, white epoxy-coated
Code Compliance	USDA approved, OSHA encouraged

INTRODUCTION

Thank you for purchasing our Lift Products equipment! We know you will be delighted with the Lift Products quality and performance. Please read this owner's manual carefully before using your stationary lift. Keep this manual in an accessible place for easy reference. If calling or writing about your lift, please give the model number and serial numbers so that your order or questions can be taken care of promptly.

INCREASED PRODUCTIVITY

This sanitary lift can be used to raise and lower products vertically. This could reduce loss time injuries due to back strain and cumulative trauma illness. This reduction could increase job efficiency, productivity and work quality.

SAFETY FIRST

WARNING!!! FAILURE TO FOLLOW THE INSTRUCTIONS IN THIS MANUAL CAN CAUSE PERSONAL INJURY AND/OR PROPERTY DAMAGE.

Carefully read all safety signs and labels in good condition and replace those that are damaged.

WARNING!!! WATCH HANDS AND FINGERS! KEEP ALL EXTREMITIES AWAY FROM SCISSORS ARMS WHEN LIFT IS IN OPERATION!

Lift Products Safety Features:

- Continuous-touch start/stop hand pendant buttons

LOCK OUT PROCEDURES

When cleaning, maintaining or disassembly is required, the lift should be completely powerless. The main power to the lift controls and power unit must be disconnected and locked out.

SET UP

1. After locating the unit in the work area, anchor the base firmly to a level floor before operating.
 - A. When leveling the unit, shims may be used to obtain a level position. Lift Products recommends using a grout to provide a solid surface underneath the support angle base. The channel must have a solid base to support the wheels or damage/failure to the support could result.

- B. There are 4 anchor points on the lift. These are located on the outside perimeter of the lift. Use a corrosion resistant 3/4" bolt in ALL 4 points for proper anchorment.
 - C. To access the four inside anchor points, the lift must be raised. See the electrical diagram for proper wiring.
2. Plug the power cable into a 100 AC, properly grounded outlet with sufficient amperage capacity to run a 1 HP electric motor.
 3. Check hydraulic fluid level in the reservoir. The level should be 1-1/2" below the fill hole.
 4. Check each if the 6 grease points on the lift. They are located on the four wheel areas and the middle of the scissor arms. These are usually greased from our factory.
 5. The 6 grease points should be greased on a regular basis. Depending on your type of operation and wash down procedures. Lift Products recommends you grease these points on a weekly basis.

OPERATION

WARNING!!! KEEP ALL EXTREMITIES AWAY FROM ALL MOVING PARTS, UNDER NO CIRCUMSTANCES SHOULD ANY ONE WALK UNDER OR HAVE ANY PART OF THEIR BODY UNDER THIS LIFT.

NOTE: LOADS MUST NOT EXCEED 4000LBS. FOR THIS LIFT (SXT) MODEL

Once the unit has been properly set up per the SET UP instructions, try the unit empty first to test the operation to be sure it is working properly. Then test the unit with a load. Keep all loads properly centered and balanced as much as possible.

CAUTION: AWKWARD PLACEMENT OF LOAD COULD CAUSE EQUIPMENT DAMAGE!

Engage the foot pedal to raise or lower the lift. The foot pedal is a momentary control which allows easy operation. The unit can be started or stopped at any position throughout the units cycle.

CAUTION: WHEN LIFTING HEAVY LOADS, DO NOT JOG THE UNIT MORE THAT 2-3 TIMES TOO QUICKLY. WAIT APPROX. 5 SECS. BETWEEN EACH JOG. SUDDEN JOGS MAY CAUSE THE UNIT TO HAVE SURGES IN ELECTRICAL POWER. THIS COULD CAUSE THE FUSE TO TRIP EXCESSIVELY AND CAUSE IMPROPER WEAR ON THE HYDRAULIC UNIT.

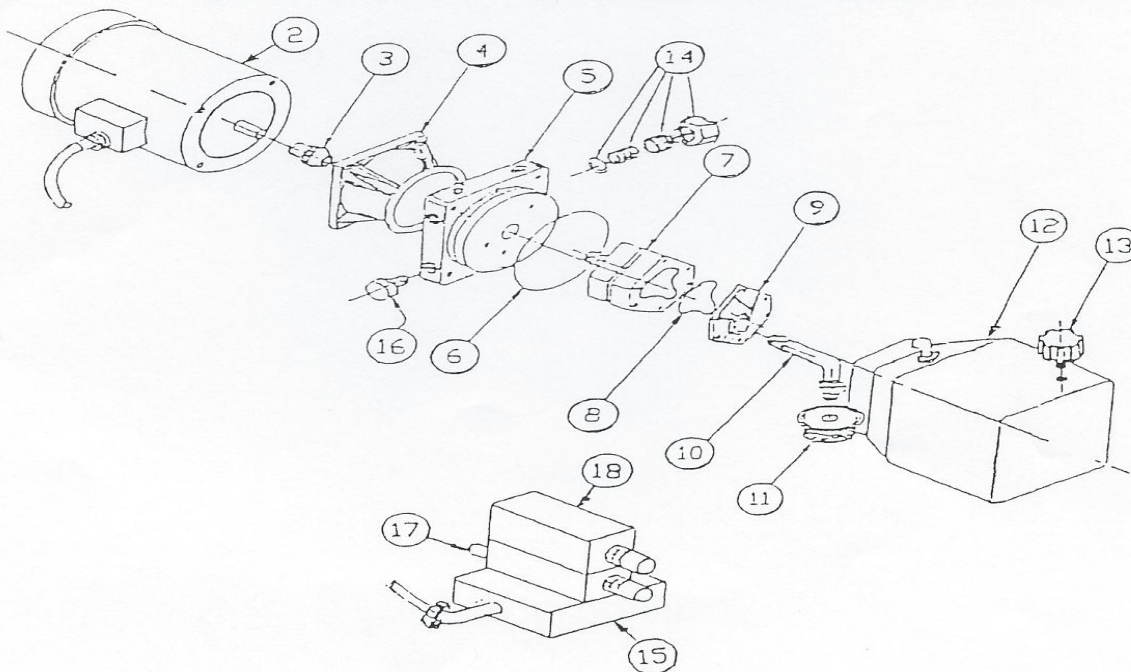
To lower a product or to lower the top down itself, depress, the DOWN pedal and the unit will lower. This done without the power unit engaging.

REMEMBER---SAFETY FIRST!!!--- IF YOU HAVE ANY PROBLEMS WITH YOUR LIFT, CONSULT THE FOLLOWING PAGE FOR "PROBLEMS/SOLUTIONS".

Problem Situation	Suggested Solution
<ul style="list-style-type: none"> • Motor to power unit does not turn on 	<ul style="list-style-type: none"> • Check electrical service • Check and/or replace fuse • Loose wires in junction box • Check and/or replace motor
<ul style="list-style-type: none"> • Motor turns on but will not lift product 	<ul style="list-style-type: none"> • Hydraulic fluid is low and needs to be filled • Pump coupling between motor and hydraulic pump has come loose or needs to be replaced • Check and/or replace hydraulic pump • Strainer has become plugged and needs to be cleaned
<ul style="list-style-type: none"> • Motor and pump do not run smoothly 	<ul style="list-style-type: none"> • Air in the hydraulic lines needs to be removed • Dirt or foreign particles in hydraulic fluid • Motor has come loose from base plate and needs tightening • Check and/or replace hydraulic pump • Check and/or replace motor
<ul style="list-style-type: none"> • Non-level platform while raising load 	<ul style="list-style-type: none"> • Air in the hydraulic cylinders needs to be removed • Check and/or replace roller chain and sprocket • Flow divider is plugged
<ul style="list-style-type: none"> • Excessive oil about base of hydraulic cylinders 	<ul style="list-style-type: none"> • Hydraulic fitting to cylinder is loose and needs to be tightened • Check and/or replace hydraulic hose • O-rings in hydraulic cylinders need to be replace

SERVICE PARTS LIST

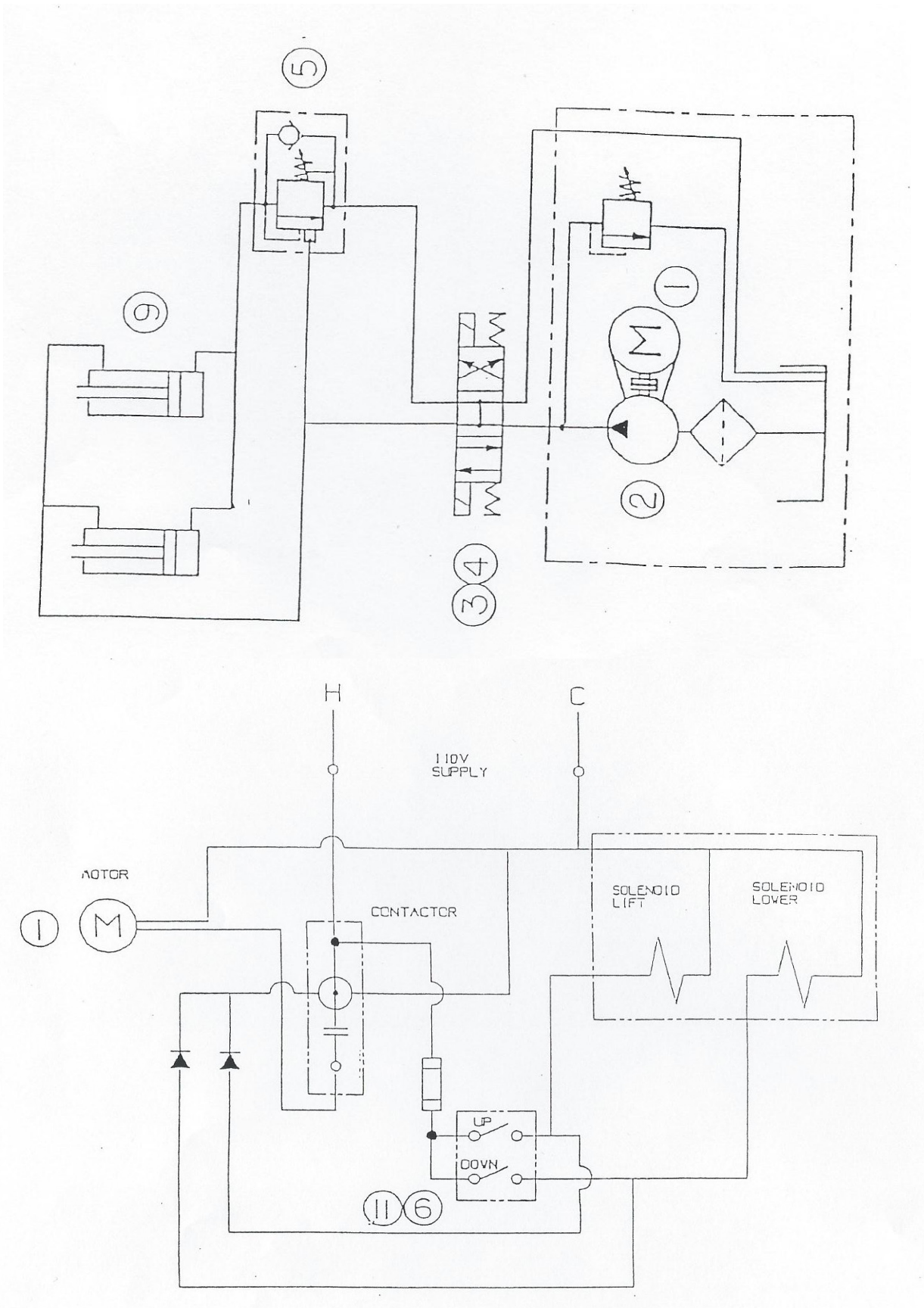
ITEM NO.	PARTS NUMBER	FUNCTION
2	113583	MOTOR
3	1487AA, 1485AA, 2361AB	COUPLING
4	KM97	C-FACED ADAPTER (INCLUDES ITEM #3)
5	KN12	END HEAD
6	GI-1073-48	O-RING
7	KP12	PUMP
8	K-40	SEAL KIT
9	2130AC	SUCTION COVER
10	T2 5001-00	ELBOW
11	1611-AA	STRAINER
12	KR40	RESERVOIR
13	1214-AA	BREATHER
14	KC08	RELIEF VALVE
15	PS027-D03-8	SUB PLATE
16	02160700	SOLENOID
17	CBV1-10-5-1A6T-50/25	COUNTERBALANCE VALVE
18	655011-D03-115DF-T-10	DIRECTIONAL VALVE



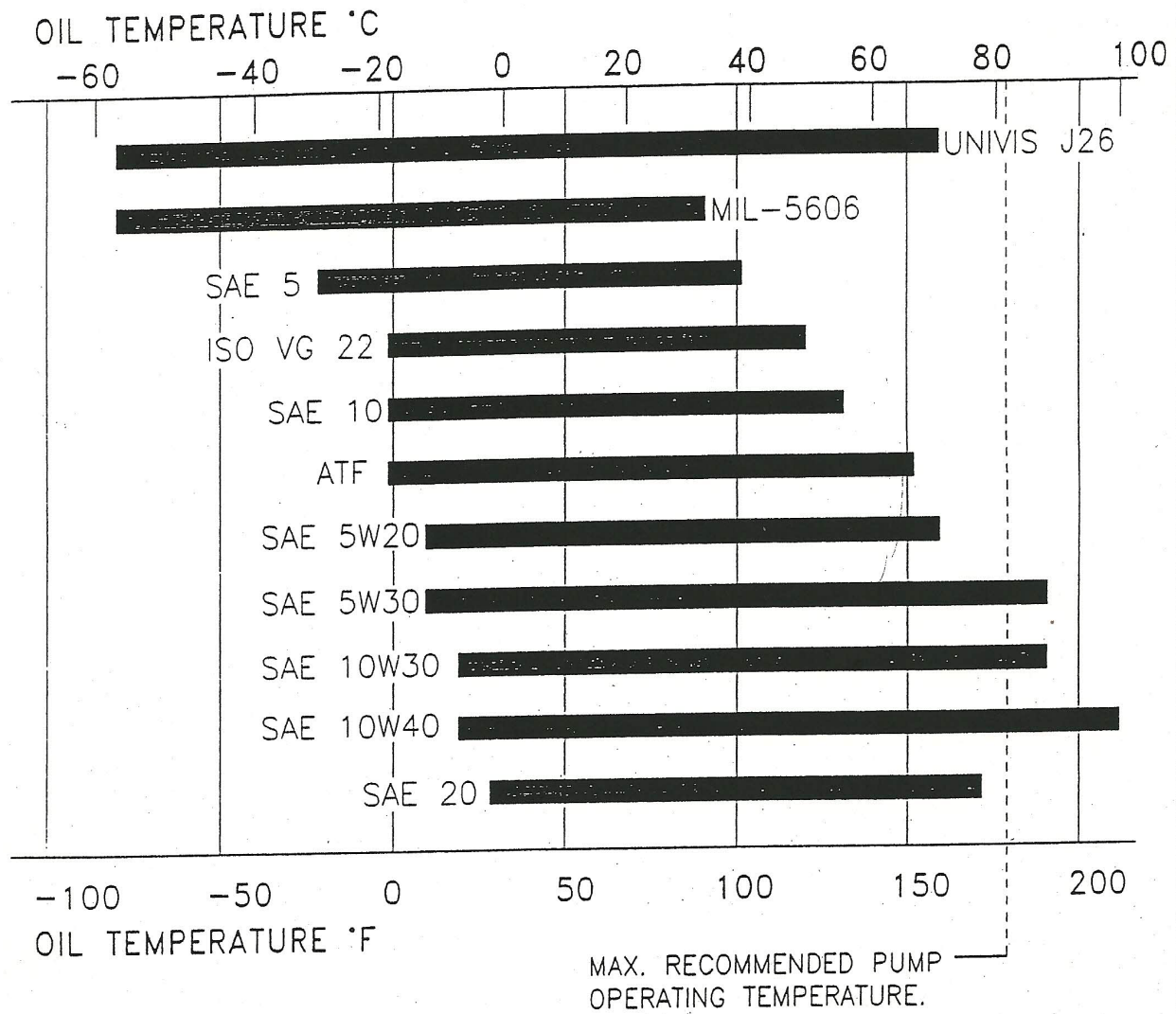
POWER UNIT ASSEMBLY

SPARE PARTS LIST

ITEM #	PART NUMBER	DESCRIPTION
1	113583	TEFC.15SF 1HP 120VAC 3450RPM
2	KP12	GEAR PUMP 1 GPM
3	PS027-D03-8	DO3 SUBPLATE #8 SIDE PORTS
4	65011-D03-15DF-T-10	DIRECTIONAL VALVE
5	CBV1-10-S-I-A8H-A30	COUNTER BALANCE
6	9001-BW72-B	NEMA 4X HAND CONTROL
7	08.99.200.14	CAM FOLLOWER
8	08.99.200.17	BRONZE BUSHING (SET OF 2)
9	08.99.200.09	HYDRAULIC CYLINDER
10	08.99.200.20	CYLINDER SEAL KIT
11	GS98164	POWER UNIT ONLY
12	GS95319	COMPLETE POWER UNIT
13	08.99.200.15	PIVOT SHAFT
14	08.99.200.16	TOP & BASE CLEVIS PIN
15	P7002-906	S/S FOOT PEDAL (OPTIONAL)
16	CRS16	CAM FOLLOWER (OPTIONAL PART FOR ROTATOR TOP UNIT)



RECOMMENDED OILS AT VARIOUS TEMPERATURES



TEMPERATURE LIMITS BASED ON MAXIMUM VISCOSITY OF 1000 CENTISTOKES (5000 SSU) AND MINIMUM VISCOSITY OF 15 CENTISTOKES (80 SSU)